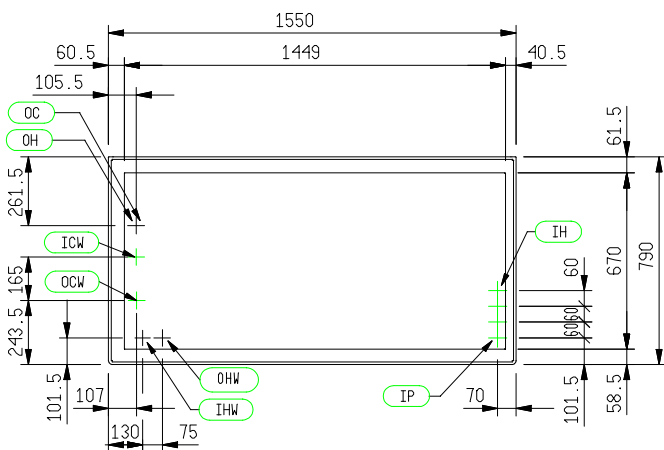
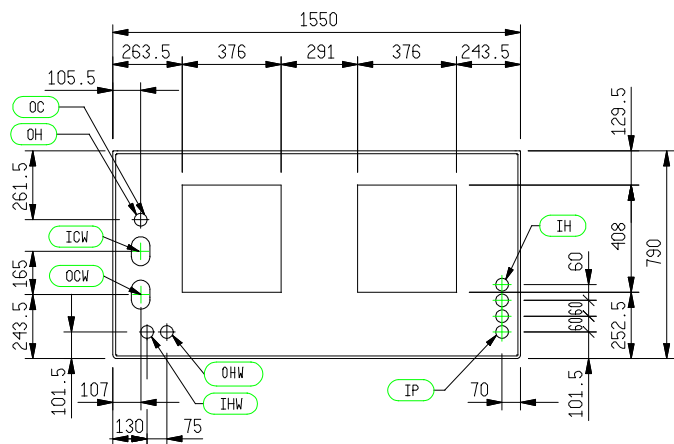


ITALIANO	ENGLISH
ICW: IN acqua refrigerata AC	ICW: IN chilled water AC
OCW: OUT acqua refrigerata AC	OCW: OUT chilled water AC
IP: IN alimentazione elettrica	IP: IN power supply
IH: IN umidificatore	IH: IN humidifier water
OH: OUT umidificatore	OH: OUT humidifier water
IHW: IN acqua calda	IHW: IN hot water
OHW: OUT acqua calda	OHW: OUT hot water
OC: OUT scarico condensa	OC: OUT condensate water drain



EC PLUG FAN
VERSION



CENTRIFUGAL FAN
VERSION

Version : AC
Model : 34 - 41 - 50
Air flow configuration: UNDER

